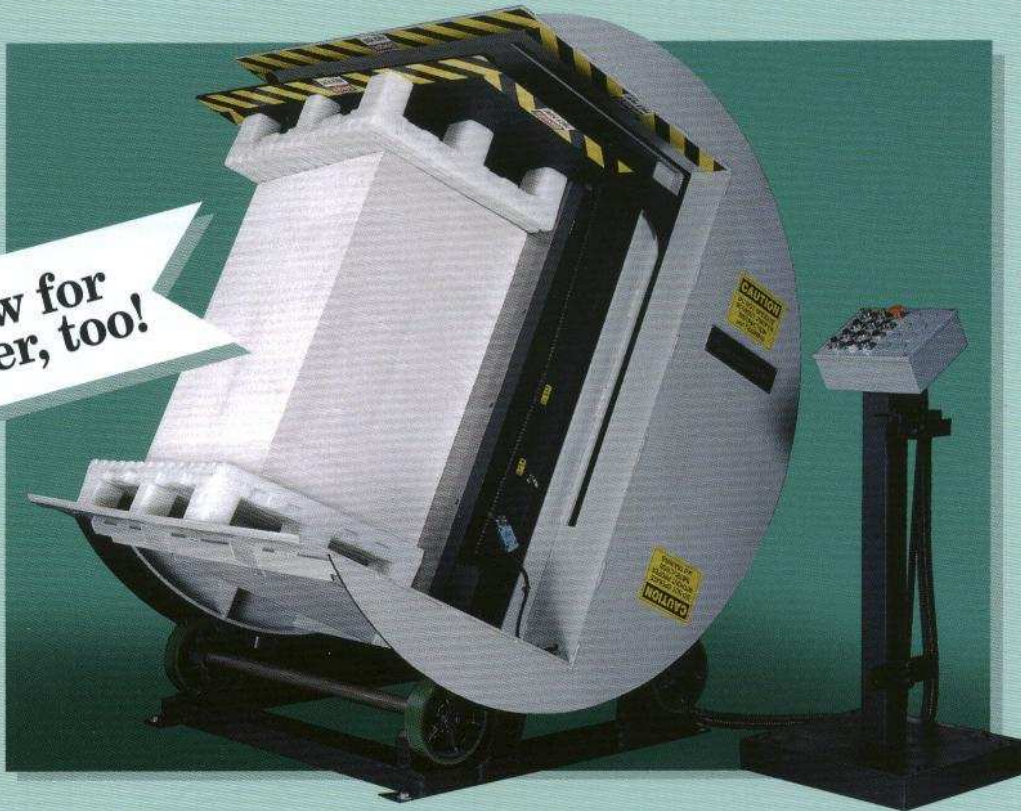


# Automatän

## JOGGER/AERATORS FOR THE PRINTING INDUSTRY

Now for  
paper, too!



- Inverting
- Aerating
- Jogging
- Cleaning
- Sorting
- Squaring
- Inspecting

### *What we've always done for folding carton stock, we now do for paper.*

The Automatän Jogger/Aerator concept of a simple, all mechanical design combined with rugged construction has given the folding carton industry years and years of dependable service. This proven technology has now been engineered into a patented feature on a machine to serve the printing industry.

Now printers can reduce the labor intensive tasks of manually handling loads of sheets to a simple, one person automated pushbutton operation that improves the condition of the product, saves on labor, and addresses ergonomic concerns. With an Automatän Jogger/Aerator, you will improve productivity and product quality and reduce costs at the same time.

Using circular steel side frames cradled on heavy rollers, the Automatän Jogger/Aerator uses an electrical motor to effortlessly turn even the largest loads. Each load is securely held within the jogger/aerator by a mechanically operated platen plate and the entire machine rotates on the cradle.

For the ultimate in versatility and performance, the Automatän Jogger/Aerator is available in a range of sizes and formats, in either jogger/aerator or turn only models.

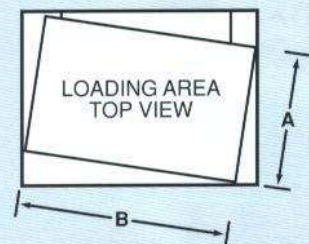
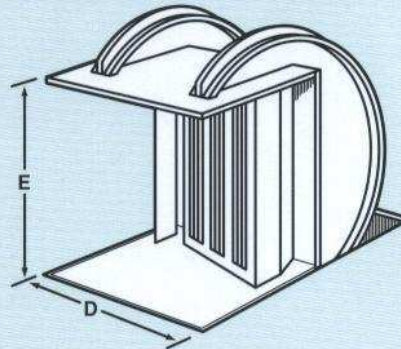
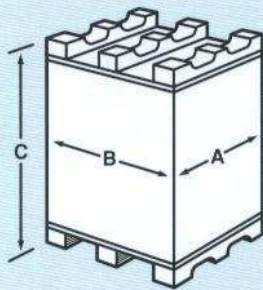
The Automatän Jogger/Aerator – offering years of safe, efficient, low maintenance operation for the commercial printer.

# Automatän

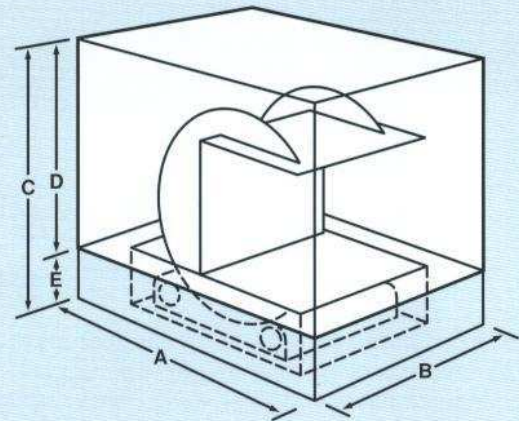
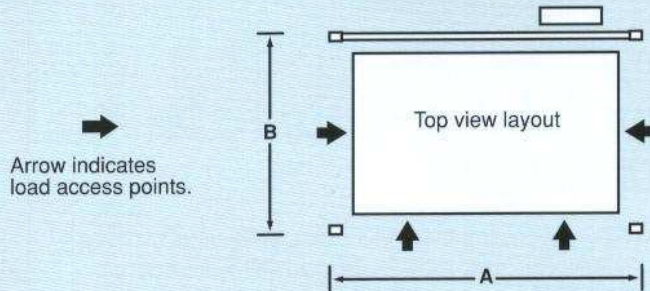
Innovative equipment for packaging and printing industry leaders.

# Specifications

MODEL	LOAD SPECIFICATIONS			MACHINE SPECIFICATIONS				
	MAXIMUM FORMAT		MAXIMUM PILE HEIGHT INCLUDING PALLET C	CAPACITY	WIDTH OF OPENING D	HEIGHT OF OPENING E	MACHINE WEIGHT	RUNNING POWER REQUIREMENTS 460 VOLT, 60 HZ (380 Volts, 50 Hz)
	A	B						
6500	28" x 40" (710 x 1020mm)		58" (1470mm)	1750 lbs (800 kg)	60" (1520mm)	65" (1650mm)	5980 lbs (2700 kg)	15 amps (8.5 kw)
7300	43" x 65" (1090 x 1650mm)		67" (1700mm)	4500 lbs (2040 kg)	78.75" (2000mm)	73" (1850mm)	9400 lbs (4260 kg)	30 amps (25 kw)



## Machine space requirements and recommended\* minimum clearance from stationary objects.



\*These measurements represent minimum operational clearances from building support columns, overhead trusses, beams and utilities. Additional space adequate for loading/unloading, electrical cabinet and operator convenience must be allowed. The product, product flow and pallet handling equipment in each plant affect additional space requirements for loading/unloading in your plant. **NOTE:** While these specifications may be used for general site planning, they **SHOULD NOT** be used for site preparation. Detailed prints will be provided for site preparation. All specifications are subject to change without notice.

MODEL	A	B	C	D	E
6500	98.5" (2500mm)	89" (2260mm)	90" (2290mm)	73" (1850mm)	16.5" (420mm)
7300	134.5" (3420mm)	109.5" (2780mm)	106" (2690mm)	87" (2210mm)	19" (480mm)

**For a real opportunity to increase productivity, call Automatän today.**

# Automatän